

Lifebuoy Rings

MOB Systems



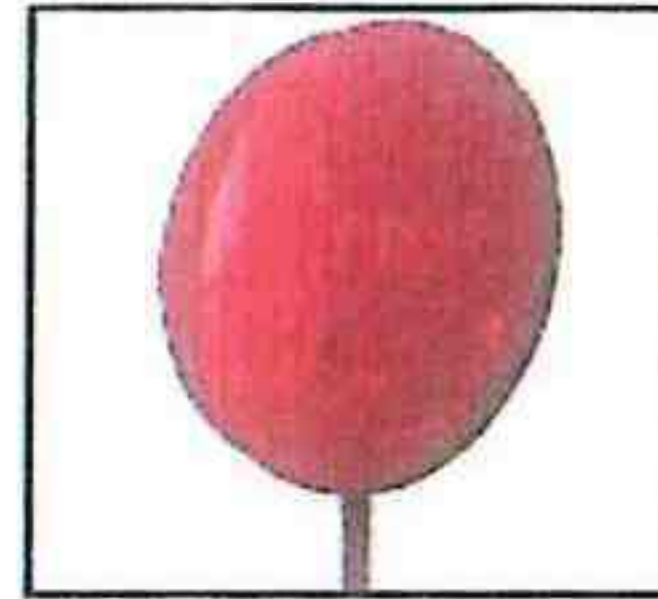
Height: 85cm
Width: 85cm
Depth: 20cm

Set of Lifebuoy Ring Case, with 70090 Lifebuoy Ring & Floating Rope

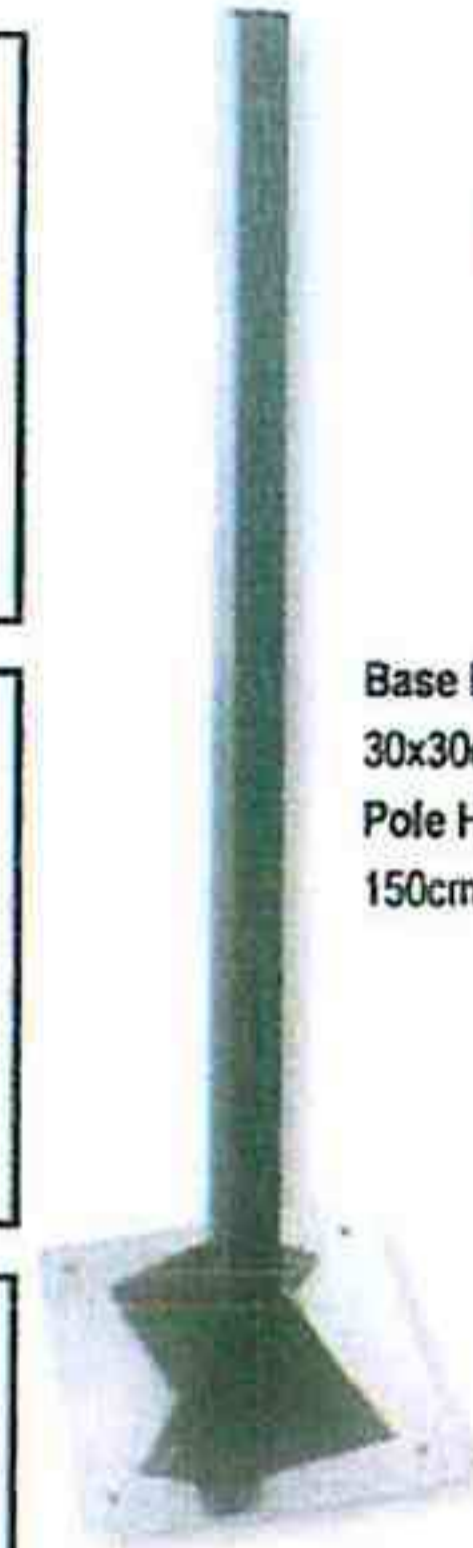
70090 Ring & 30m Floating Rope

Code...71285

BEST VALUE



Mounting Kit Included



BEST VALUE

Base Dimensions: 30x30cm
Pole Height: 150cm

Deck Pole Base for Lifebuoy Ring Case

Code...71286



Lifebuoy Ring Container
Container alone
Dimensions: 84 x 108 x 31 cm (H x W x Depth)
Code...40212

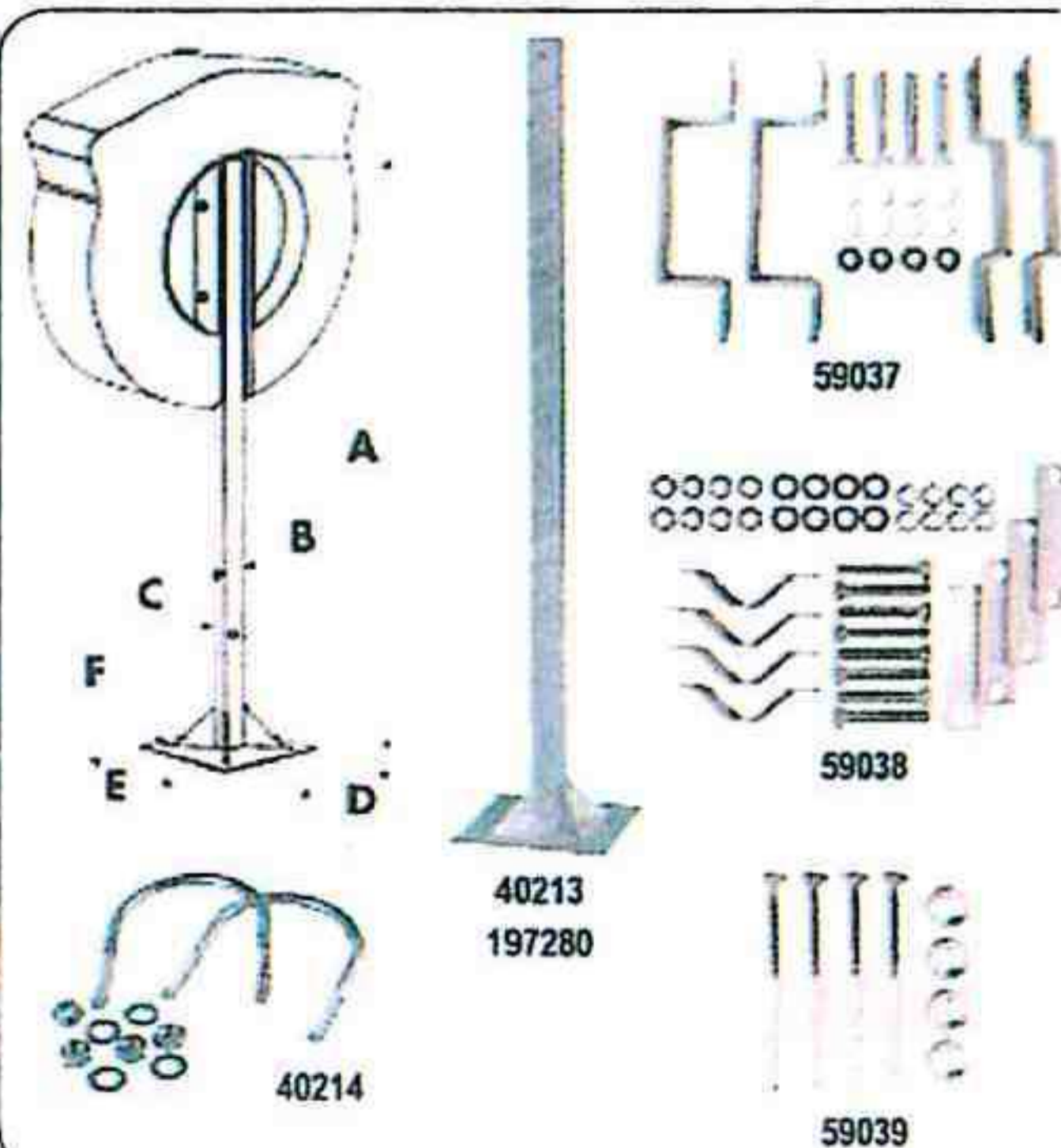


Container with door
for Lifering buoy Ø 60 or 75 cm
Features a transparent round opening to check the presence of the buoy.
Dimensions: 90 x 90 x 22 cm (H x W x Depth)
Code...196992



Container supplied empty. Buoy should be ordered separately.

Accessories for mounting



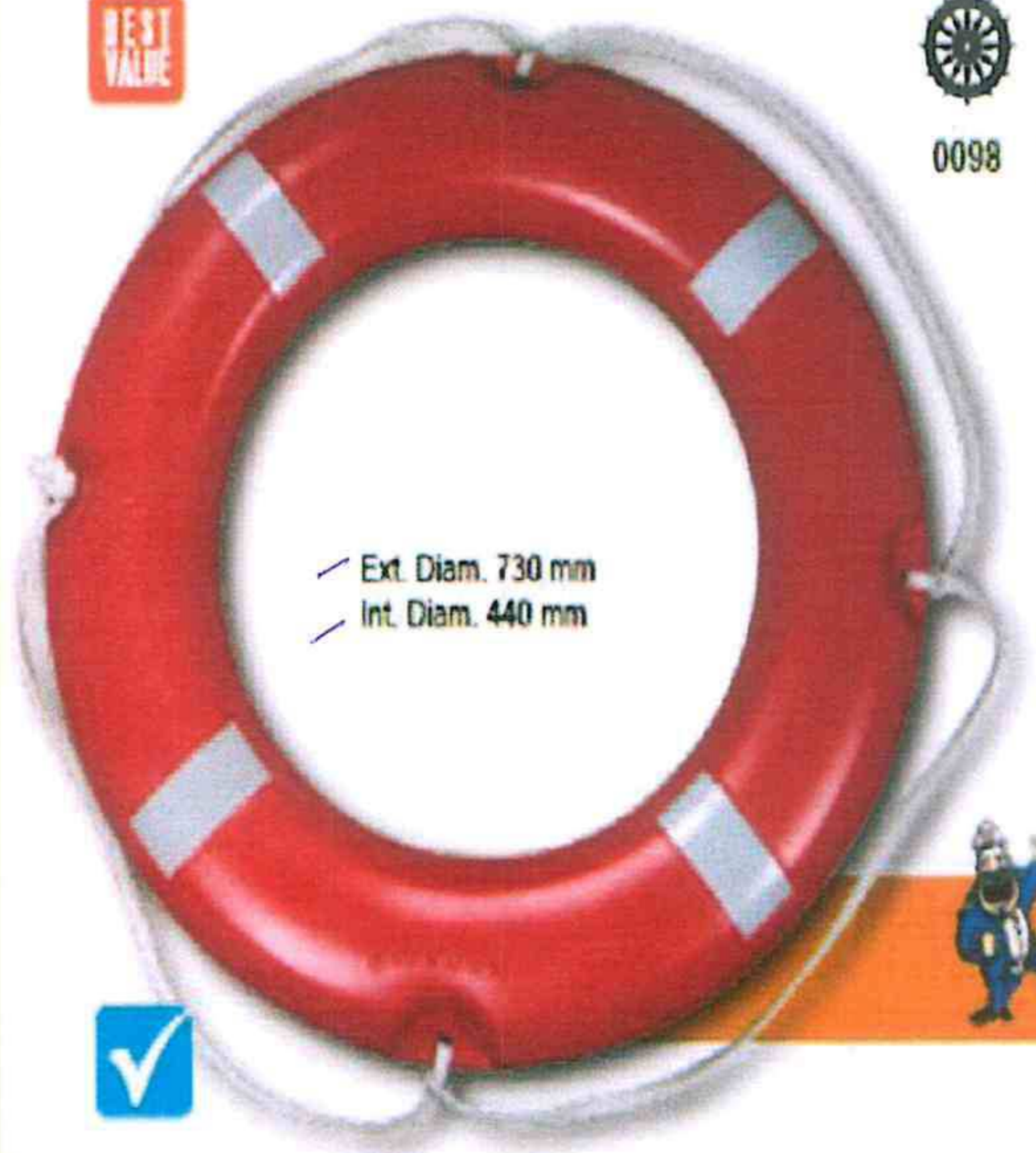
Description	Pole Kit for lifebuoy container		Mounting kit for Ø 6cm rail*	Mounting kit for rail*	Wall mounting kit (bolts + screws)
	Pole	Mounting Kit For Pole			
For standard container model	40213		40214	-	59039
For container with door	197280	59037	-	59038	

*(banister and jetty balustrade)

Code	Model	A (cm)	B (cm)	C (cm)	D (cm)	E (cm)	F (drilling)
40213	Standard container	150	6	4	30	30	Ø 1,5cm
197280	Container with door	200	10	5	25	25	2,3 x 1,1 (oblong hole)

Man Over Board Devices

BEST
VALUE



Ext. Diam. 730 mm
Int. Diam. 440 mm



0098

Lifebuoy Ring SOLAS with retroreflective tapes

Designed for pleasure and commercial usage, features an orange, rack hard, cross-linked polyethylene outer shell that will not deteriorate and is unaffected by extreme weather conditions CE approved to SOLAS (L.S.A Code)* by G.L. Hamburg.

Code.....70090 70110
Weight.....2.5kg 4kg




Plastic holder for life ring

Code.....01107 (Set of 3 pcs)



For a better effectiveness combine the SOLAS lifebuoy ring with the floating throw line (70260) and the SOLAS lifebuoy light (70030).

* The CE  approval certificates replace all the National approval certificates of European committee member states (D.O.T-U.K etc.)

* L.S.A Code (Life-Saving-Appliances Code) latest amendment of chapter III of SOLAS in force since June 1998 until 1998