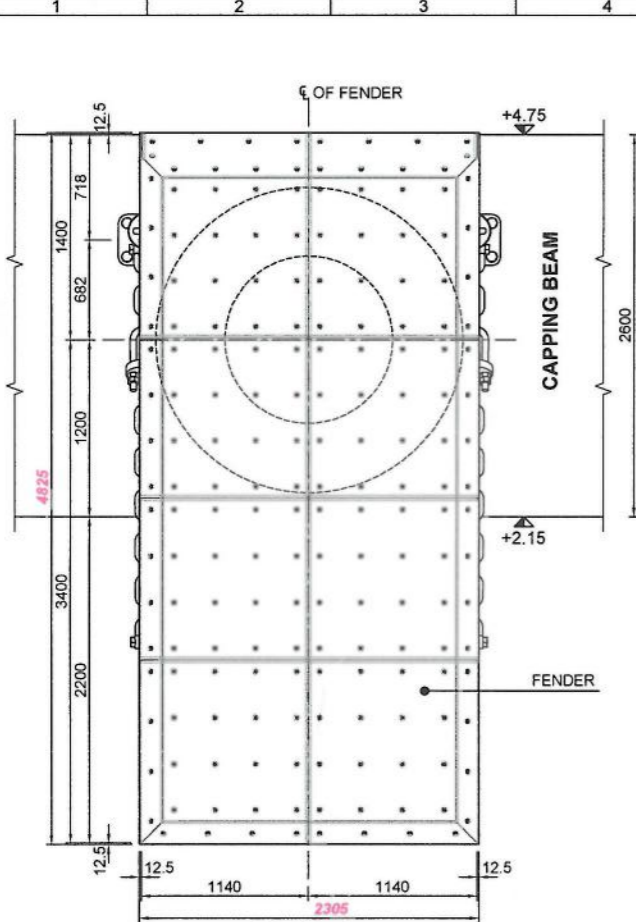


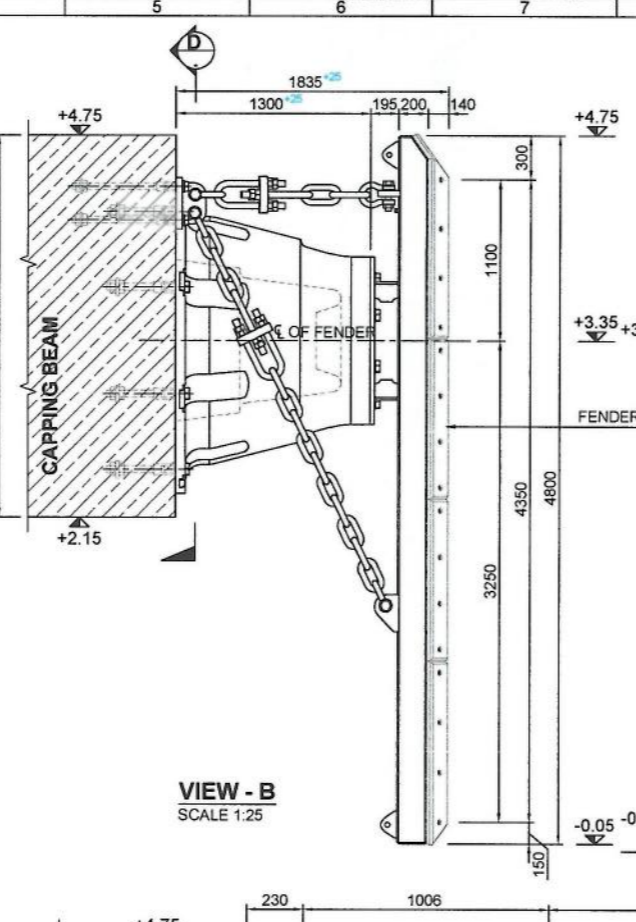
DO NOT SCALE FROM THIS DRAWING

Nov 27, 2018 - 3:09pm mmdname

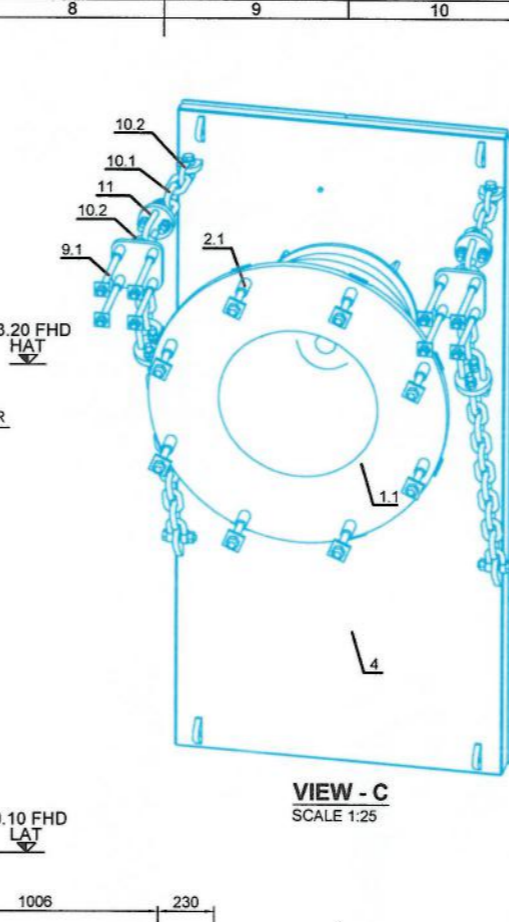
CAD file name : 2113-201-VA-3400-00017 Typical Details of Fender Anchors.dwg



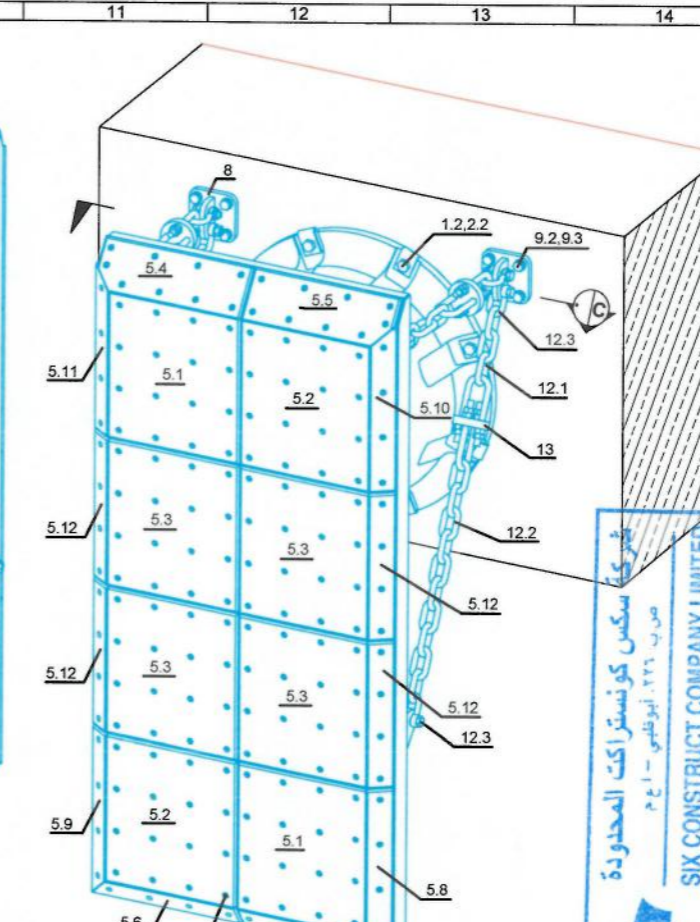
VIEW - A
SCALE 1:25



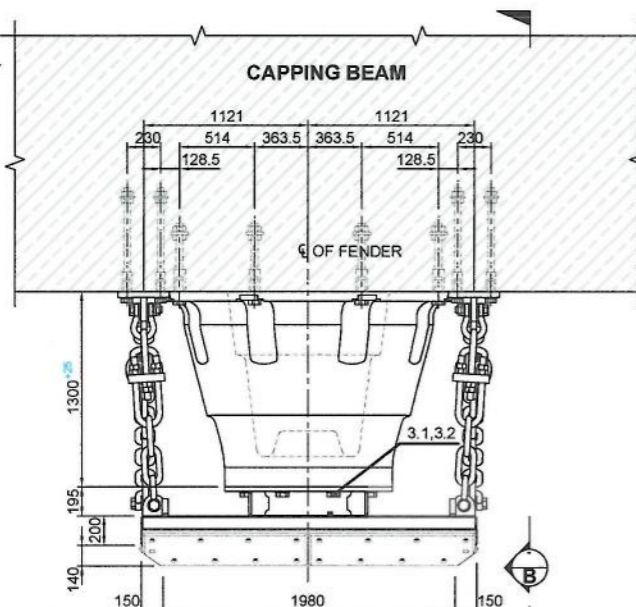
VIEW - B
SCALE 1:25



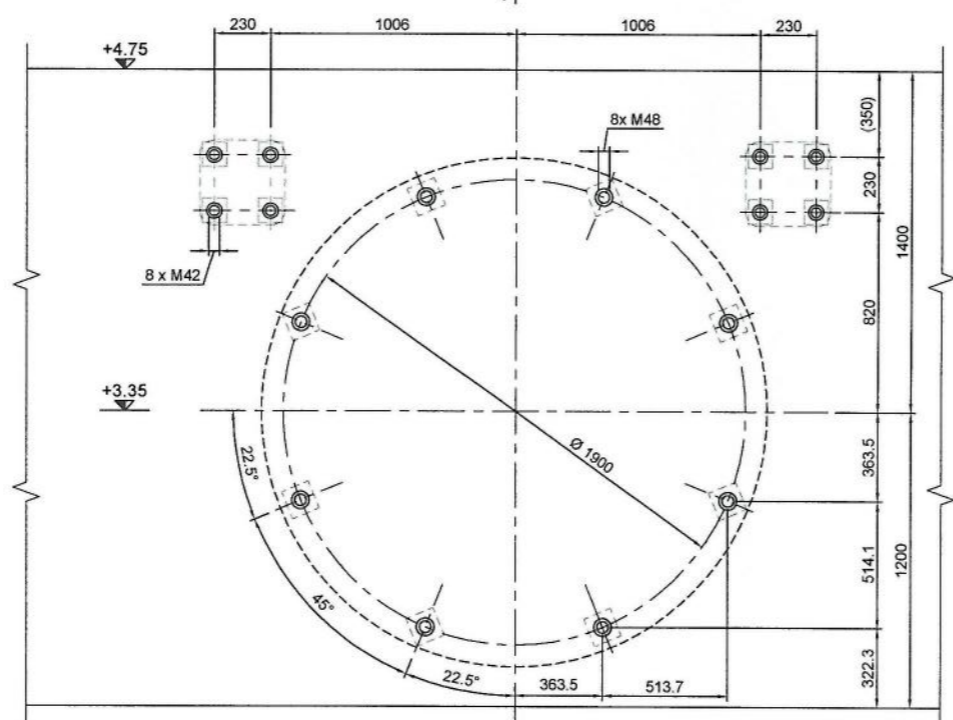
VIEW - C
SCALE 1:25



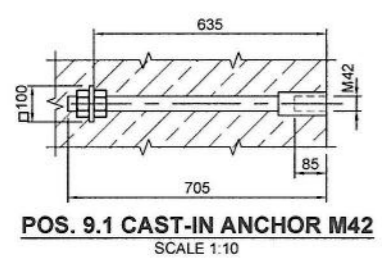
ISOMETRIC VIEW
SCALE 1:25



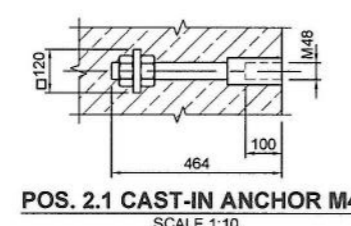
PLAN VIEW
SCALE 1:25



VIEW - D
ANCHOR LAYOUT
SCALE 1:15



POS. 9.1 CAST-IN ANCHOR M42
SCALE 1:10



POS. 2.1 CAST-IN ANCHOR M48
SCALE 1:10

Apply thread locker to all threads.

WEICONLOCK®
- medium strength or equivalent

Dimensions in **italic** letters are for shipping purpose only.

- NOTES**
- ALL DIMENSIONS ARE IN MILLIMETERS (mm) UNLESS NOTED OTHERWISE.
 - DIMENSIONAL TOLERANCE ON CASTINGS ± 5mm
- REFERENCES:**
- REFER TO MAR : 2113-201-V4-3400-00001
 - REFER TO FENDER DESIGN NOTE : 2113-201 -V6-3400-00010 & 00011
 - REFER TO RFI : 2113-201 -V7-3400-00001, 00002 & 00003

Paint system:
acc. to DIN ISO EN 12944-C5M-H
Supplier: Jotun or Carboline
traffic black RAL 9017
NDFT: 450 µm

Performance data per system at 70 % deflection:

Energy absorption: 1034 kNm
Reaction force: 1510 kN
HP : ±200 kN/m²
Tolerance: ± 10 %

Numbers are per system 84 systems

Pos.	Qty.	Name	Norm / Dimension	Material	± kg
1.1	1	Fender	SPC 1300-S G 1.9	Rubber / St	2450
1.2	8	L-Washer	165x130x10	1.4404	
2.2	8	Hex.-Screw	M48 x 130 ISO 4017	A4-70	
3.1	8	Hex.-Screw	M48 x 120 ISO 4017	A4-70	
3.2	8	Washer	M48 ISO 7089 HV200	A4	
4	1	Panel	2280 x 4800 x 300	St / painted	3725
5.1	2	UHMW-PE	40 x 1083 x 987	virgin-blue	424
5.2	2	UHMW-PE	40 x 1083 x 987		
5.3	4	UHMW-PE	40 x 1083 x 987		
5.4	1	UHMW-PE	40 x 1127 x 383		
5.5	1	UHMW-PE	40 x 1127 x 383		
5.6	1	UHMW-PE	40 x 1152 x 200		
5.7	1	UHMW-PE	40 x 1152 x 200		
5.8	1	UHMW-PE	40 x 1248 x 200		
5.9	1	UHMW-PE	40 x 1248 x 200		
5.10	1	UHMW-PE	40 x 1227 x 200		
5.11	1	UHMW-PE	40 x 1227 x 200		
5.12	4	UHMW-PE	40 x 1083 x 200		
6	186	Hex.-Nut, thin	M16 ISO 4035	A4-70	
7	186	Washer	Ø34/17 x 3	A4	
8	2	Bracket	40 x 350 x 350	St / hdg	95
9.2	8	Hex.-Screw	M42 x 120 ISO 4017	A4-70	
9.3	8	Washer	M42 ISO 7089 HV200	A4-70	
9.4	8	Washer	M42 ISO 7089	PA66	
10.1	2	Tension Chain	Ø40x200-5.0D-K2 2 links MBL= 1010kN	St / hdg	
10.2	4	Shackle Bow-Type	Ø38/42x146 WLL 17t MBL= 1020kN	St / hdg	
11	2	Chain Tensioner	Ø42 x 470-670	St / hdg	
12.1	2	Weight Chain	Ø40 x 160-D4.0-K2 3 links MBL= 1010kN	St / hdg	
12.2	2	Weight Chain	Ø40 x 160-D4.0-K2 10 links MBL= 1010kN	St / hdg	
12.3	4	Shackle D-Type	Ø38/42x127 WLL 17t MBL= 1020kN	St / hdg	
13	2	Chain Tensioner	Ø42 x 470-670	St / hdg	

Numbers are per system 83 systems

Pos.	Qty.	Name	Norm / Dimension	Material	± kg
2.1	8	Cast-in Anchor	M48 x 464	A4-70/St	
9.1	8	Cast-in Anchor	M42 x 705	A4-70/St	

CONTRACTOR'S VERIFICATION STAMP

WE, SIX CONSTRUCT LTD., VERIFY THAT THIS CONTRACTOR'S DOCUMENT

- HAS BEEN PRODUCED AND CHECKED IN ACCORDANCE WITH CONTRACTOR'S QUALITY ASSURANCE PLAN
- IS OF A STANDARD THAT WILL ENABLE THE EMPLOYER TO ACCEPT IT IN ACCORDANCE WITH THE CONTRACT
- COMPLIES WITH ALL REQUIREMENTS OF THE CONTRACT

FOLLOWING DEVIATIONS TO CONTRACT ARE REFERENCED FOR WHICH A DISPENSATION HAS BEEN ACCEPTED BY THE EMPLOYER:

NONE

OTHER RELATED LETTERS/CTs WHICH DOCUMENT CLARIFICATIONS ASSOCIATED WITH THIS DOCUMENT ARE LISTED BELOW:

NONE

CONTRACTOR'S PROJECT MANAGER:
JASON FORSYTH

PRINT NAME: [Signature] SIGNATURE: [Signature] DATE: 22/11/18

DOCUMENT STATUS STAMP

CODE 1	WORK MAY PROCEED
CODE 2	REVISE & RESUBMIT. WORK MAY PROCEED SUBJECT TO INCORPORATION OF COMMENTS INDICATED
CODE 3	REVISE & RESUBMIT. WORK MAY NOT PROCEED
CODE 4	REVIEW NOT REQUIRED. WORK MAY PROCEED

THE STATEMENT "WORK MAY PROCEED" APPLIES TO THE FOLLOWING WORK ACTIVITIES ASSOCIATED WITH THE MATTERS CONTAINED WITHIN THE CONTRACTOR'S DOCUMENT:

DESIGN / PROCUREMENT / CONSTRUCTION / ALL * ACTIVITIES (*DELETE/AMEND/ADD AS APPLICABLE)

ANY REVIEW, COMMENT OR ACCEPTANCE BY EMPLOYER UNDER THIS CONTRACT WITH RESPECT TO ANY OF CONTRACTOR'S DOCUMENTS SHALL NOT IN ANY WAY BE, OR DEEMED TO BE, AN APPROVAL OF ANY WORKS OR AN ACCEPTANCE THAT THE CONTRACTOR'S DOCUMENTS MEET THE REQUIREMENTS OF THE CONTRACT, AS CONTRACTOR HAS THE SOLE RESPONSIBILITY FOR PERFORMING THE WORKS IN ACCORDANCE WITH THE REQUIREMENTS OF THIS CONTRACT.

APPROVED BY: [Signature] DATE: 09/12/2018

Rev. 001 27-11-18 ISSUED FOR REVIEW & APPROVAL

Rev	Date	Description	Drawn	Chkd	Appr
001	27-11-18	ISSUED FOR REVIEW & APPROVAL	MMB	USA	DWA

Drawn by / Date: FOR/12-02-18
Checked by / Date: JDE/12-02-18
Approved by / Date: JDM/12-02-18

Client: **موانئ أبوظبي**
ABU DHABI PORTS

© Copyright Abu Dhabi Ports (ADPorts), 2015. All Rights Reserved.

Contract No. & Project Title:
CONTRACT NO. 2113-201
MARINE WORKS FOR FUJAIRAH PORT

Independent Checking Engineer:
Signature: [Signature]

Contractor: **SIX CONSTRUCT**
P.O. BOX-226 ABU DHABI, U.A.E.
TEL. : +971 2 6562666 FAX : +971 2 6562555

Consultant: [Signature]

Drawing Title: **DETAILS OF FENDER SYSTEM**

Sheet: 1 OF 1
Scale: AS SHOWN
Paper Size: A1

Drawing Status: **DESIGN DRAWING**

Drawing No.: 2113-201-VA-3400-00017
Revision: 001

UNCONTROLLED IF PRINTED